



# Screw Feeder

## DSR67 2.0 (AC)

Volumetric and gravimetric



### General Information

The [DSR67](#) feeder is ideal for poor or difficult flowing bulk ingredients at medium feed rates.

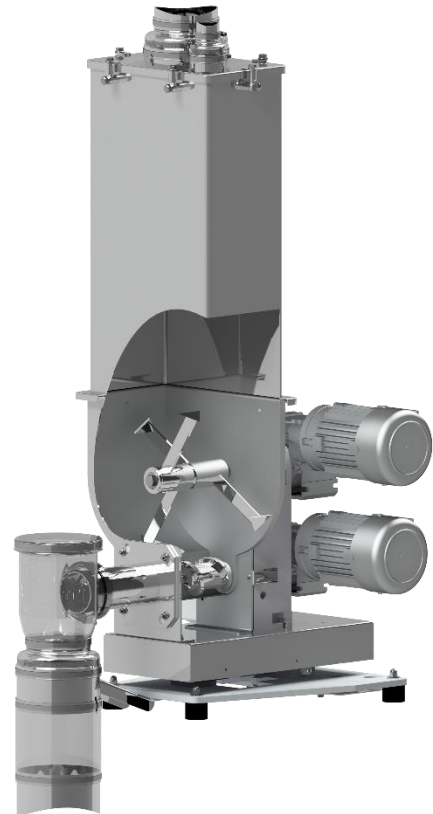
The feeder has the following main components: a stainless steel screw trough with inspection port and agitator, a screw, a screw tube, a modular gearbox, and two 3 phase motors to independently drive the agitator and screw. Extension hoppers are available with a capacity of 35 dm<sup>3</sup> (1.2 cuft), 60 dm<sup>3</sup> (2.1 cuft), 110 dm<sup>3</sup> (3.9 cuft) for storing bulk material. For cohesive bulk solids, which tend to solidify and bridge when at rest in the hopper, a 100 dm<sup>3</sup> (3.5 cuft) hopper with an agitator (AR) can be used.

The horizontal agitator works to consistently fill the screw and prevents hopper bridging while providing mass flow. This results in optimal feeder accuracy and control.

The [DSR67](#) is easily disassembled for wet or dry cleaning. All service is from the front or back.

The gravimetric version includes the weighing systems DLS6 and MD6 featuring a high resolution digital load cell with serial data transmission as well as MS6 with strain gauge load cell with advanced filtering technology

The unit conforms to CE directives.



### Model Specification

Screw drive	Three-phase motor
Drive power	0.25 kW (0.34 HP)
Screw speed	142 min <sup>-1</sup>
Optional Screw speed	282 min <sup>-1</sup>
Trough agitator	yes
Agitator drive	Three-phase motor
Drive power	0.25 kW (0.34 HP)

### Control Modules

Control and speed modules are offered either mounted onto the feeder ([Congrav® CM-E](#)) or are available for mounting in a separate control panel ([Congrav® CB-E](#) or [Congrav® CB-S](#)).

Controls can communicate directly to most host/ PLC systems or to Brabender Technologie Congrav® Operator Interfaces.

### Technical Drawings and Dimensions

	volumetric feeders	gravimetric feeders	
		Control module CB	Control module CM
35 dm <sup>3</sup> (1.2 cuft) Hopper	<a href="#">DSR67-35Q</a>	<a href="#">DDW-DLS(MD)]S](4)5(6)-DSR67-35Q</a>	<a href="#">DDW-DLS(MD)]S](4)5(6)-DSR67-35Q CM</a>
60 dm <sup>3</sup> (2.1 cuft) Hopper	<a href="#">DSR67-60</a>	<a href="#">DDW-DLS(MD)]S](4)5(6)-DSR67-60</a>	<a href="#">DDW-DLS(MD)]S](4)5(6)-DSR67-60 CM</a>
110 dm <sup>3</sup> (3.9 cuft) Hopper	<a href="#">DSR67-110</a>	<a href="#">DDW-DLS(MD)]S]5(6)-DSR67-110</a>	<a href="#">DDW-DLS(MD)]S]5(6)-DSR67-110 CM</a>
100 dm <sup>3</sup> (3.5 cuft) Hopper AR	--	<a href="#">DDW-DLS(MD)]S]6-DSR67-100 AR</a>	<a href="#">DDW-DLS(MD)]S]6-DSR67-100 AR CM</a>



# Screw Feeder

## DSR67 2.0 (AC)

Volumetric and gravimetric



### Screw Sizes and Feed Rates

Screw type	Designation Ø / p [mm]	Tube designation	Tube dia. [mm]	Max. speed [min <sup>-1</sup> ]	Max. feed rate * [dm <sup>3</sup> /h]	Max. feed rate * [cuft/hr]
<a href="#">Spiral screw (S)</a> <a href="#">(TA= with trough activation)</a>	S 28/22 (TA)	320	38.0x3.0	142 (282) / 100Hz	100 (198)	3.5 (7.0)
	S 28/35 (TA)	320	38.0x3.0	142 (282) / 100Hz	167 (331)	5.9 (11.7)
	S 33/35 (TA)	350	38.0x1.5	142 (282) / 100Hz	227 (450)	8 (15.9)
	S 43/27 (TA)	443	48.3x2.0	142 (282) / 100Hz	272 (541)	9.6 (19.1)
	S 43/42 (TA)	443	48.3x2.0	142 (282) / 100Hz	456 (905)	16.1 (32.0)
	S 52/39 (TA)	563	60.3x2.0	142 (282) / 100Hz	588 (1168)	20.8 (41.2)
	S 52/62 (TA)	563	60.3x2.0	142 (282) / 100Hz	997 (1981)	35.2 (70)
	S 67/45	715	76.1x2.3	142 (282) / 100Hz	1194 (2372)	42.2 (83.8)
<a href="#">Spiral screw (S) for granules</a>	S 28/22	443	48.3x2.0	142 (282) / 100Hz	177 (351)	6.3 (12.4)
	S 28/35	443	48.3x2.0	142 (282) / 100Hz	289 (574)	10.2 (20.3)
	S 33/35	443	48.3x2.0	142 (282) / 100Hz	322 (640)	11.4 (22.6)
	S 43/27	563	60.3x2.0	142 (282) / 100Hz	384 (762)	13.6 (26.9)
	S 43/42	563	60.3x2.0	142 (282) / 100Hz	629 (1249)	22.2 (44.1)
	S 52/39	715	76.1x2.3	142 (282) / 100Hz	878 (1744)	31.0 (61.6)
	S 52/62	715	76.1x2.3	142 (282) / 100Hz	1458 (2896)	51.5 (102.3)
<a href="#">Blade screw (B)</a>	B 50/45	563	60.3x2.0	142 (282) / 100Hz	571 (1135)	20.2 (40.1)
	B 50/70	563	60.3x2.0	142 (282) / 100Hz	917 (1821)	32.4 (64.3)

\* Theoretical values at 100% screw filling level and motor speed. Depending on the flow characteristics the screw filling level may decrease to 50%. Further limitations must be considered for gravimetric feeding as max. speed should be reduced to allow for bulk density variations. The values in brackets refer to optional motors.  
[How to read the table of screws](#)

### Technical Specification

Ambient temperature:	0°C to +45°C (32°F to 113°F)
Humidity of the air:	up to 85% without condensation
max. vacuum/pressure:	3 hPa (3 mbar) (1.2 inches of water)
Ingredient temperature:	0°C to + 60°C (32°F to 140°F)
max. bulk density (volumetric):	1.5 kg/dm <sup>3</sup> * (94 lb/cuft)
max. bulk density (with MD4)	0.75 kg/dm <sup>3</sup> *(46.8 lb/cuft) with hopper 35 dm <sup>3</sup> (1.2 cuft); 0.35 kg/dm <sup>3</sup> *(21.8 lb/cuft) with hopper 60 dm <sup>3</sup> (2.1 cuft)
max. bulk density (with DLS5 MD5):	0.9 kg/dm <sup>3</sup> *(56.1 lb/cuft) with hopper 35 dm <sup>3</sup> (1.2 cuft); 0.45 kg/dm <sup>3</sup> *(28.1 lb/cuft) with hopper 60 dm <sup>3</sup> (2.1 cuft)
max. bulk density (with DLS6 MD6):	1.5 kg/dm <sup>3</sup> *(93.6 lb/cuft) with hopper 60 dm <sup>3</sup> (2.1 cuft); 1.5 kg/dm <sup>3</sup> *(93.6 lb/cuft) with hopper 110 dm <sup>3</sup> (3.9 cuft); 1.5 kg/dm <sup>3</sup> *(93.6 lb/cuft) with hopper 100 dm <sup>3</sup> (3.5 cuft) AR
max. bulk density (with MS5):	1.0 kg/dm <sup>3</sup> *(62.4 lb/cuft) with hopper 35 dm <sup>3</sup> (1.2 cuft); 0.5 kg/dm <sup>3</sup> *(31.2 lb/cuft) with hopper 60 dm <sup>3</sup> (2.1 cuft)
max. bulk density (with MS6):	1.5 kg/dm <sup>3</sup> *(93.6 lb/cuft) with hopper 60 dm <sup>3</sup> (2.1 cuft); 1.5 kg/dm <sup>3</sup> *(93.6 lb/cuft) with hopper 110 dm <sup>3</sup> (3.9 cuft); 1.5 kg/dm <sup>3</sup> *(93.6 lb/cuft) with hopper 100 dm <sup>3</sup> (3.5 cuft) AR
Screw trough, extension hopper, hopper lid:	1.4301 (304SS)
Screws, screw tubes, outlets:	1.4571 (316 SS), 1.4301 (304SS) or polyurethane, food-grade to LMBG*
Non-contact components:	Aluminium, plated or painted steel (RAL 7035)
Hopper lid <a href="#">35 dm<sup>3</sup> (1.2 cuft)</a> , or <a href="#">60 (2.1 cuft)</a> or <a href="#">110 dm<sup>3</sup> (3.9 cuft)</a> :	Hopper lid for <a href="#">automatic refilling</a> or <a href="#">manual refilling</a>
Hopper lid <a href="#">100 dm<sup>3</sup> AR</a> :	Hopper lid with agitator drive for vertical agitator
Screw drive:	0.25 kW (0.34 HP), IP65; ISO class F; TEFC; frequency-controlled
Agitator drive:	0.25 kW (0.34 HP), IP65; ISO class F; TEFC; optional frequency-controlled
Power supply:	AC 230/400 V (110VAC/460VAC) - 50Hz** or 266/460 V (230/460VAC) - 60Hz
Net weighing range MD4:	32 kg (70.5 lb) with hopper 35 dm <sup>3</sup> (1.2 cuft); 24 kg (52.9) with hopper 60 dm <sup>3</sup> (2.1 cuft)
Net weighing range DLS5 and MD5:	37 kg (81.6 lb) with hopper 35 dm <sup>3</sup> (1.2 cuft); 28 kg (61.7) with hopper 60 dm <sup>3</sup> (2.1 cuft)
Net weighing range DLS6 and MD6:	264 kg (582 lb) with hopper 60 dm <sup>3</sup> (2.1 cuft); 255 kg (562.2 lb) with hopper 110 dm <sup>3</sup> (3.9 cuft) ; 227 kg with hopper 100 dm <sup>3</sup> (3.5 cuft) AR
Net weighing range MS5:	42 kg (92.6 lb) with hopper 35 dm <sup>3</sup> (1.2 cuft); 33 kg (72.8 lb) with hopper 60 dm <sup>3</sup> (2.1 cuft)
Net weighing range MS6:	234 kg (515.9 lb) with hopper 60 dm <sup>3</sup> (2.1 cuft); 225 kg (496 lb) with hopper 110 dm <sup>3</sup> (3.9 cuft); 197 kg (434.3 lb) with hopper 100 dm <sup>3</sup> (3.5 cuft)AR
* other values upon request	** Three-phase motors are designed for a power supply of: 230/400 V - 50 Hz, and for the operation in TT networks, TN networks or networks with earthed neutral. For different networks adaptation measures are necessary.

### Options and Accessories

- Flexible [inlet and vent connections](#)
- Flexible [outlet connections](#)
- Interchangeable screws and screw tubes
- [Hopper with horizontal agitator](#)
- [DESTACO clamp fasteners](#) with safety switch
- Versions for higher or lower temperatures than standard
- [Explosion-proof versions](#) as per directive 2014/34/EU (ATEX) or NFPA
- Screw extension 200 mm (7.9 inches)
- Vertical outlet with [quick release](#)
- [Maintenance disconnect box](#)
- [Filter bag](#) or [JetFilter](#) for vent pipe
- [Turntable](#), [cart mounting](#), [BagDumper](#)
- Pressure compensation for the [outlet](#) and/or [feeder](#) hopper
- Cleaning and refill systems upon request